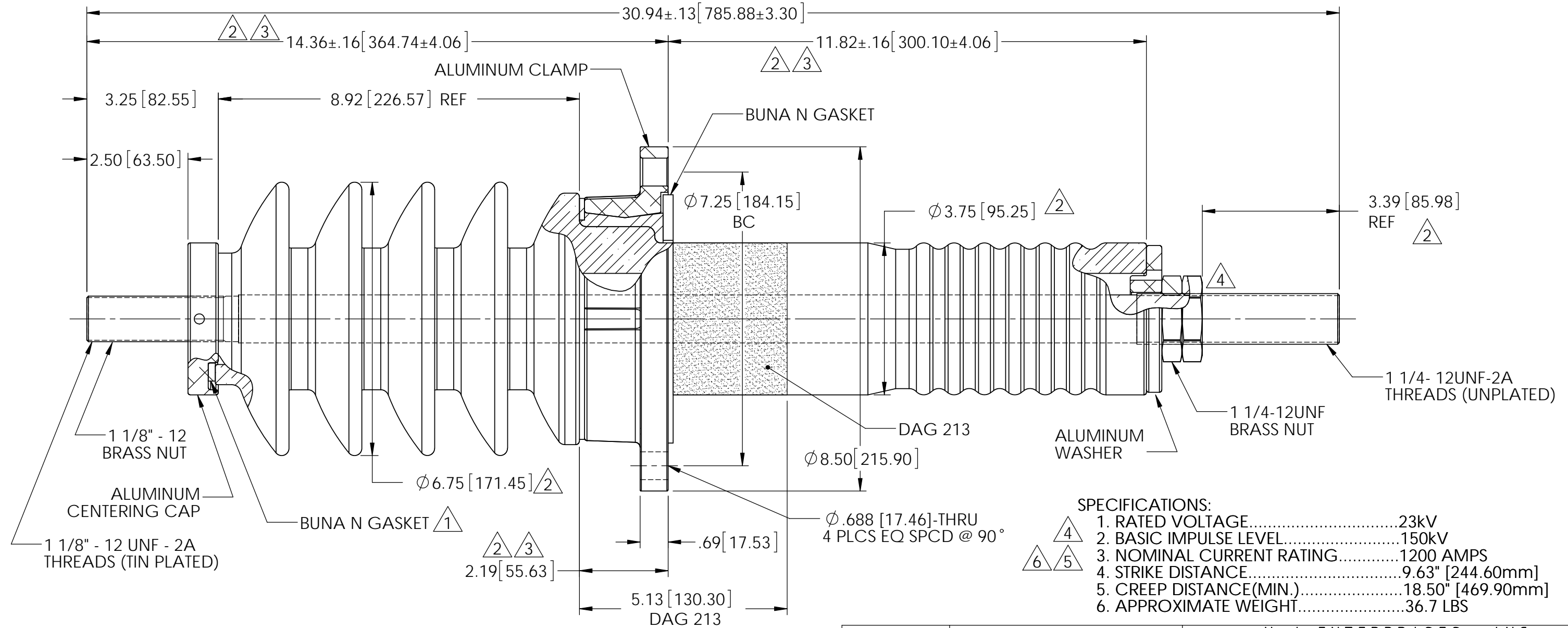


REVISIONS					
REV.	DATE	ECN #	DESCRIPTION	BY	APPROVED
1	11-21-03	HJ03-117	ADDED GASKET NOTE.	CJT	SP
2	7-19-04	HJ04-122	REVISED PORCELAIN AND REDIMENSIONED.	JRM	SP
3	10-9-06	HJ06-071	REVISED DIMENSIONS.	JRM	SP
4	4-28-09	HJ09-017	ADDED JAM NUT, MATERIAL, & SPEC'S	JH	JFS
5	10/13/2011	HJ11-036	"1107" WAS "994"	SMM	JFS
6	10/27/2014	HJ14-232	CHGD RATING, WAS 1107-TO-1200 AMPS. REM 1000A/SQ.-IN.	TJF	BLB



- SPECIFICATIONS:**
- 1. RATED VOLTAGE.....23kV
 - 2. BASIC IMPULSE LEVEL.....150kV
 - 3. NOMINAL CURRENT RATING.....1200 AMPS
 - 4. STRIKE DISTANCE.....9.63" [244.60mm]
 - 5. CREEP DISTANCE(MIN.).....18.50" [469.90mm]
 - 6. APPROXIMATE WEIGHT.....36.7 LBS

MATERIAL:
 4 STUD - COPPER C11000 TIN PLATED

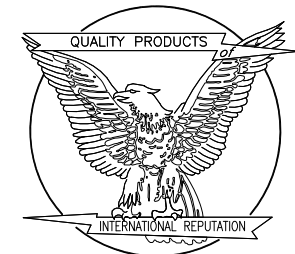
PORCELAIN NOTES:
 1. WET PROCESS ELECTRICAL PORCELAIN.
 2. GRAY GLAZE MUNSELL 5BG 7.0/0.4
 3. TOLERANCE ±3% WITH NOTHING LESS THAN ±.03", UNLESS OTHERWISE NOTED ON DRAWING.

PROPRIETARY AND CONFIDENTIAL
 THE INFORMATION CONTAINED IN THIS DRAWING IS THE SOLE PROPERTY OF H-J ENTERPRISES, INC. ANY REPRODUCTION IN PART OR AS A WHOLE WITHOUT THE WRITTEN PERMISSION OF H-J ENTERPRISES, INC. IS PROHIBITED.

TOLERANCES
 (EXCEPT AS NOTED)

DECIMAL
 .X = ±.1
 .XX = ±.06
 .XXX = ±.03

ANGULAR
 +/- 1°



H - J ENTERPRISES, INC.
 3010 HIGH RIDGE BLVD. HIGH RIDGE, MO. 63049 USA
 PHONE 1-636-677-3421 FAX 1-636-376-1915

23kV 150kV BIL COVER BUSHING

MATERIAL (SEE DRAWING)		
CHK'D	APP'D	DRAWING NO.
		AS1439-001
DRAWN BY	DATE	SCALE
CJT	10-18-02	N.T.S.